

Project

Date

Models

Pony 2

Pony 4

Item #

Quantity



model Pony 4

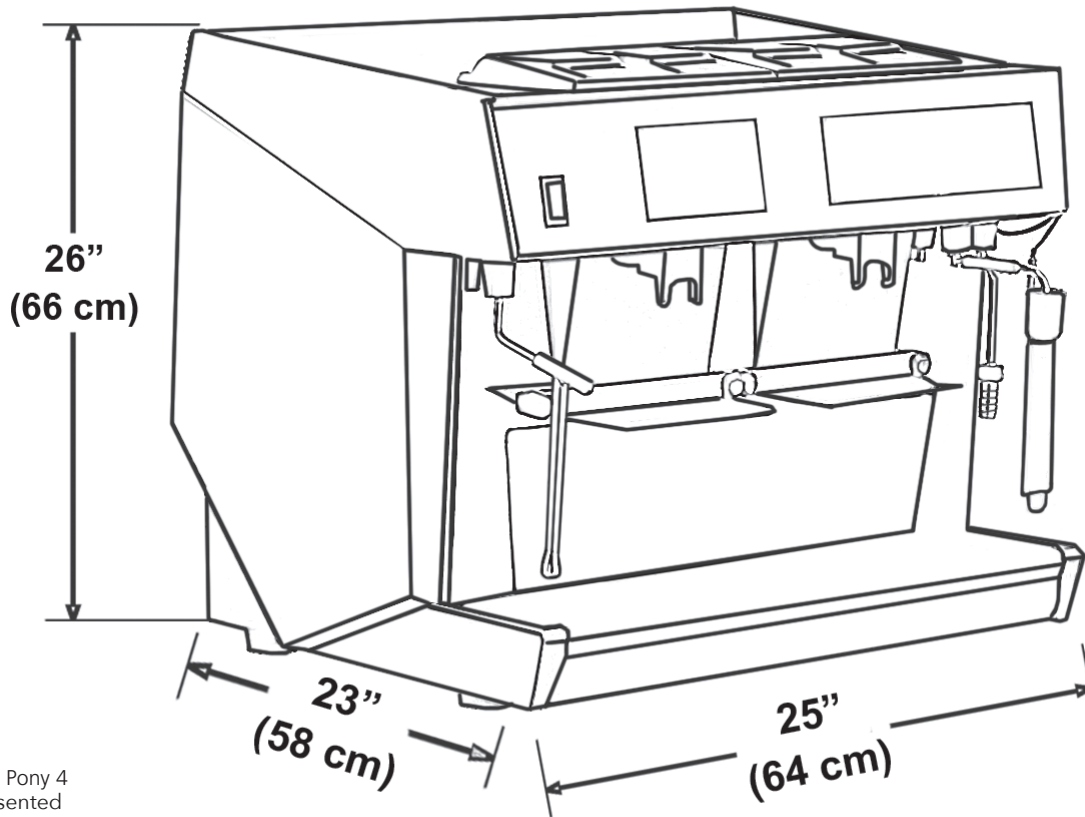
FEATURES

- Super-Automatic Two-step espresso machines offer exceptional quality in a variety of drinks with basic operator skill.
- Machine uses 45mm ESE Pod filters to pull the extraction, and the user mixes the steamed or frothed milk and other flavorings for each drink.
- Programmable Automatic SteamAir wand controls the temperature and foam time to create the perfect milk to add to each drink.
- Small skill required, making it ideal where quality and consistency are vital, despite multiple users or employee turnover.
- Programmable hot water dispenser for hot drinks.
- The touch screen offers programmable control of 48 drink recipes per grouphead.
- More control over amount and type of foam, froth, and milk in the drink.
- Steam non-coffee drinks like chai tea and hot chocolate.
- Programmable control of pre-infusion, and 6 volumetric water settings per grouphead.
- Quick clean cycles every 90 drinks; complete group auto clean cycle every 24 hours.
- Includes installation by a Grindmaster-Cecilware certified service provider and Purity C500 Water Filtration kit.





PONY POD SUPER-AUTOMATIC TWO-STEP ESPRESSO MACHINES



model Pony 4 represented



MODELS & SPECIFICATIONS

| Model | Description | Capacity | Boiler | Electrical | Product Dimensions (H x W x D) | Product Weight |
|-------------------------------|-------------------------------|---|------------------------------------|-----------------------------|--|---------------------|
| Pony 2* (1011-007) | One group with double spouts | Small to Medium capacity, 100-150 drinks daily. Brews 2 espressos simultaneously. | (1) 1.66 gal (6.3 L) 1500 Watts | 120V / 1.7 kW 20A / 1 Ph | 26" X 14" X 23" (66 cm x 36 cm x 58 cm) | 104 lbs. (47 kg) |
| Pony 4** (1011-008) | Two groups with double spouts | Medium capacity, 150-200 drinks daily. Brews 4 espressos simultaneously. | (1) 2.64 gal (10 L) 4500 Watts | 230V / 4.5 kW 30A / 1 Ph | 26" X 25" X 23" (66 cm x 64 cm x 58 cm) | 143 lbs. (65 kg) |

* **Electrical:** NEMA 5-20P line cord included.

** **Electrical:** Line cord included with no plug. Suggested plug: L6-30P.

Ship Dimensions: Pony 2: 32" X 30" X 20" (81 cm x 76 cm x 51 cm). Pony 4: 33" X 44" X 30" (84 cm x 112 cm x 76 cm).

Note: Product height includes 3" (7.6 cm) stainless steel legs.