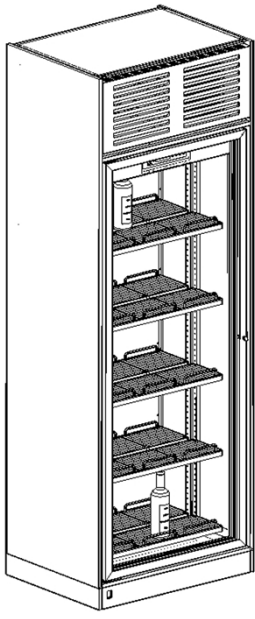


WINE

ENOGALAX
ONE DOOR

Code A1GM6B1U22U	Description Refrigerated Wine Bottle Display Cabinet - ENOGALAX H2400 SINGLE SIDE
-----------------------------------	--



- Structure with insulated laminated panels.
- Aluminium frame and low emissivity double glazed door.
- Ventilated refrigeration digitally controlled.
- Inner layout with polycarbonate and stainless steel configurable shelves (inclination and height).
- LED lighting (3000-3500K).
- Heated drain pan for water condensation.
- Single side model with built in right handle and lock.
- Humidity control.

Non-contractual image, provided by way of example.

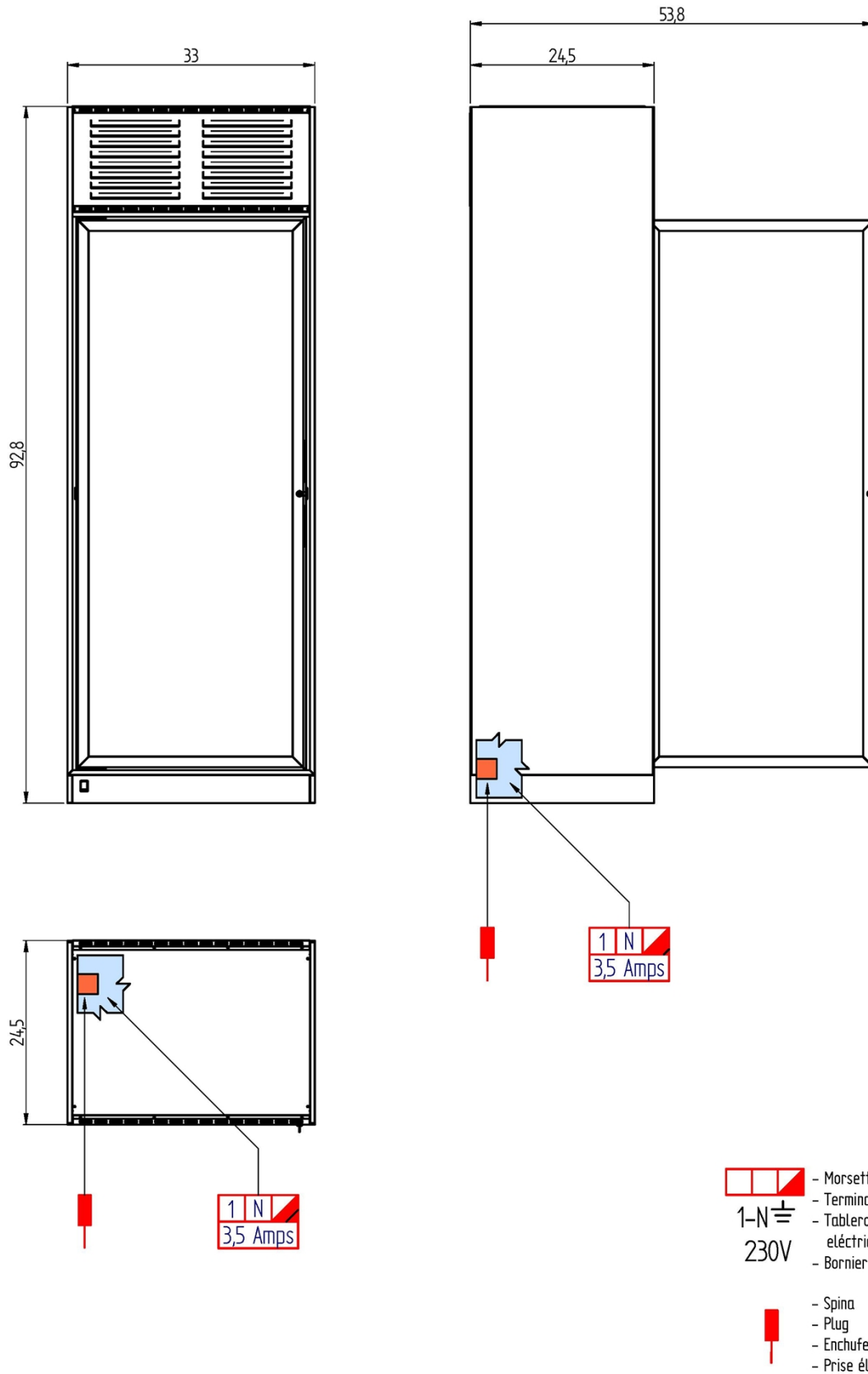
TECHNICAL DATA

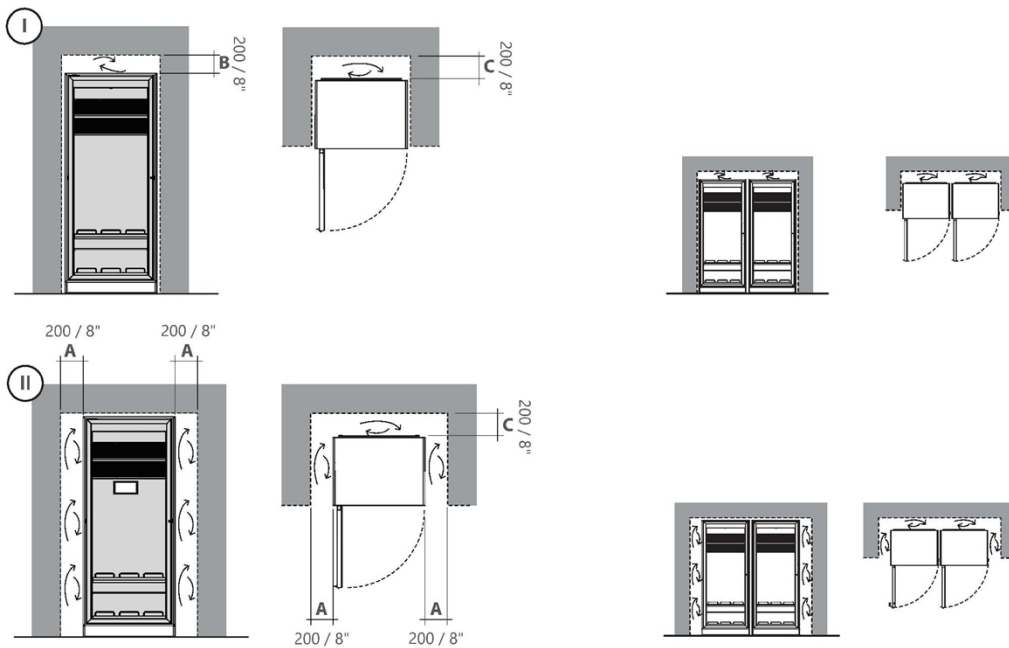
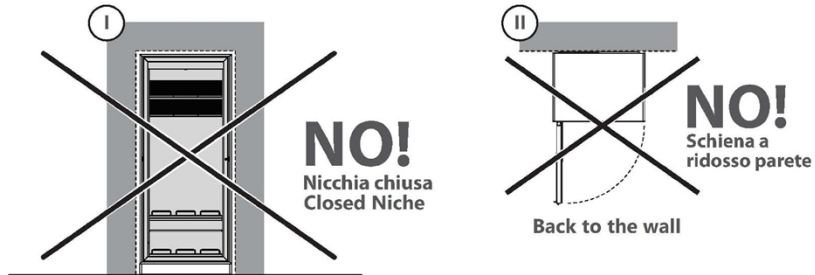
		Climate Class			
°F	Operating Climate Conditions		N°	Cu. ft.	Amps
+39°F +68°F	A.T. 86°F - R.H. 55%	4	240	-	3.5 / 8.1
		Energy Efficiency Class	Sound Emission Level (1)	Annual Energy Consumption (2)	
V/Ph/Hz	HFC		dB	kWh/Year	
115V/1/60 Hz	R134A				

(1) Sound pressure level measured at 3 meters in front of the product. (2) Annual Energy Consumption as Delegated Regulation 2010/1060/UE.

DIMENSIONS AND WEIGHTS

in			in			in			in			in			in					
W	D	H	W	D	H	W	D	H	W	D	H	W	D	H	W	D	H			
33 1/8	24 5/8	93	98 1/2	31 1/2	43 1/4	-	-	-	-	-	-	-	-	-	-	-	-	-	-	-
Lbs			Lbs	Cu. ft.	Lbs	Cu. ft.	Lbs	Cu. ft.	Lbs	Cu. ft.	Lbs	Cu. ft.	Lbs	Cu. ft.						
507			595	-	-	-	-	-	-	-	-	-	-	-						
													Total:		Lbs	Cu. ft.				
															595	-				





* mm / pollici
inches
pulgadas
pouces