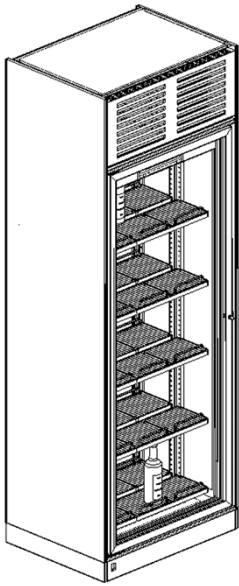


**WINE**

**ENOGALAX**

*PASS THROUGH DOORS*

<i>Code</i> <b>A1GB6B1U22U</b>	<i>Description</i> <b>Refrigerated Wine Bottle Display Cabinet - ENOGALAX H2400 PASS THROUGH DOORS</b>
-----------------------------------	---



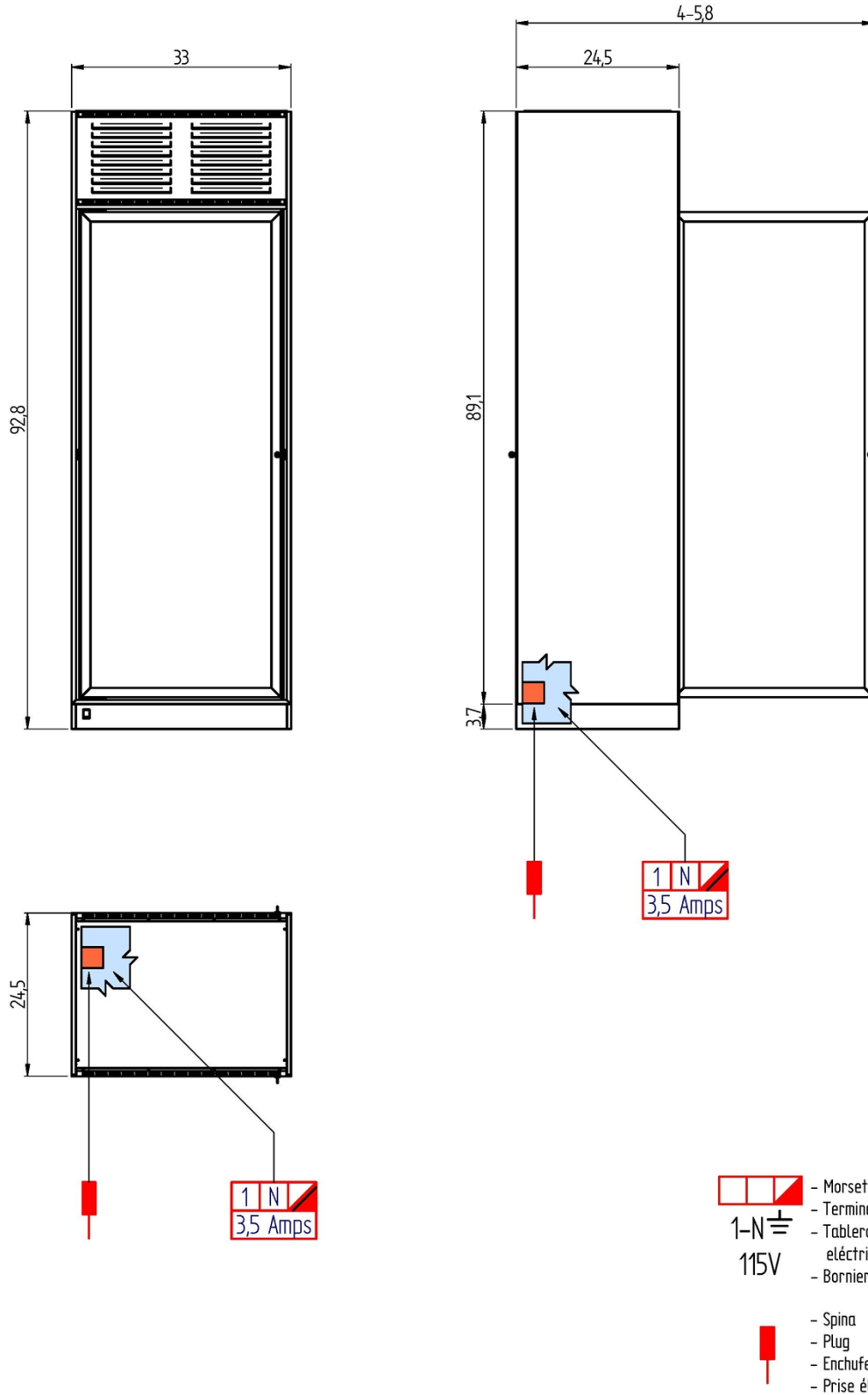
- Structure with insulated laminated panels.
- Aluminium frame and low emissivity double glazed door.
- Ventilated refrigeration digitally controlled.
- Inner layout with polycarbonate and stainless steel configurable shelves (inclination and height).
- LED lighting.
- Heated drain pan for water condensation.
- Pass through model with built in right handle and lock.
- Humidity control.

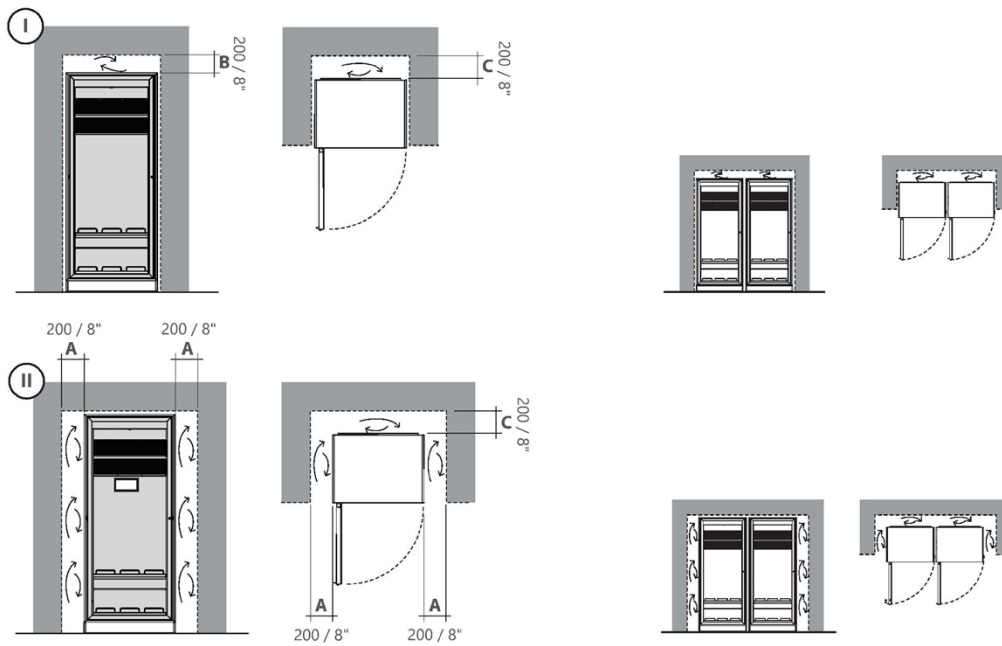
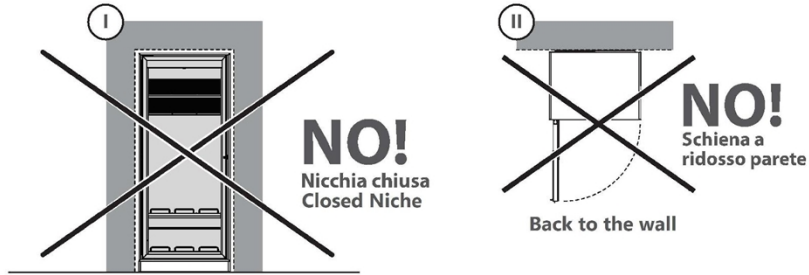
Non-contractual image, provided by way of example.

TECHNICAL DATA					
		Climate Class			
°F	Operating Climate Conditions		N°	Cu. ft.	Amps
+39°F +68°F	A.T. 86°F - R.H. 55%	4	240	-	3.5 / 8.1
		Energy Efficiency Class	Sound Emission Level (1)	Annual Energy Consumption (2)	
V/Ph/Hz	HFC		dB	kWh/Year	
115V/1/60 Hz	R134A				

(1) Sound pressure level measured at 3 meters in front of the product. (2) Annual Energy Consumption as Delegated Regulation 2010/1060/UE.

DIMENSIONS AND WEIGHTS																					
in		in		1	in		2	in		3	in		4	in		5	in		6		
W	D	H	W	D	H	W	D	H	W	D	H	W	D	H	W	D	H	W	D	H	
33 1/8	24 5/8	93	98 1/2	31 1/2	43 1/4	-	-	-	-	-	-	-	-	-	-	-	-	-	-	-	
		1		2		3		4		5		6									
Lbs	Lbs	Cu. ft.	Lbs	Cu. ft.	Lbs	Cu. ft.	Lbs	Cu. ft.	Lbs	Cu. ft.	Lbs	Cu. ft.									
551	639	-	-	-	-	-	-	-	-	-	-	-									
											Total:		Lbs	Cu. ft.							
													639	-							





\* mm / pollici  
inches  
pulgadas  
pouces