

QUIK THERM™ 350 OVEN MODEL CO-151-HUA-350 (HALF SIZE)

FEATURES AND BENEFITS:

- Fully insulated oven designed for quick reconstituting of precooked foods and slow roasting at a constant 350 degrees Fahrenheit.
- Intentionally designed without a hot holding feature, it is only intended to cook food quickly and safely.
- Slow convected air system promotes natural browning for flavor and seals in natural juices. Slow roasting means 15% to 20% less shrinkage.
- Efficient 4700 Watt power unit allows for reheating of prepared meals or bulk items.
- Large easy-to-read, quick, no fuss thermostat dial and exact temperature setting of 350°F (176.5°C.) makes easy use for all kitchen staff.
- Cook over 120 lbs. (54 kg.) of meat in just 6 sq. ft. of floor space.
- Non-venting oven, permitted by most local codes, provides easy, inexpensive installation.
- Stainless steel construction throughout for ease of cleaning.
- Smooth interior coved corners prevent food particle/grease buildup.
- Removable magnetic digital timer.
- Field reversible insulated door prevents temperature loss. Silicone door gasket for proper seal. High temperature ceramic magnetic latch for "easy open" and security during transport. Two adjustable vents.
- Safety conscious anti-microbial latch protects against spreading germs. Standard with right hand hinging; left hand hinging available upon request.
- Chrome plated wire universal angels accommodate a large variety of pan sizes on adjustable 1-1/2" spacing. Supplied with six sets of angels and three raised wire grids.
- Heavy duty 5" swivel casters, two with brakes. Provides mobility when fully loaded.
- Ovens can be stacked for flexibility.

POWER UNIT OPTIONS:

- 4700 Watts, 208 Volts, 1 Phase, 60 Hz.
- 4700 Watts, 240 Volts, 1 Phase, 60 Hz.
- 4700 Watts, 208 Volts, 3 Phase, 60 Hz.
- 4700 Watts, 240 Volts, 3 Phase, 60 Hz.
- 2000 Watts, 120 Volts, 1 Phase, 60 Hz.



CO-151-HUA-350



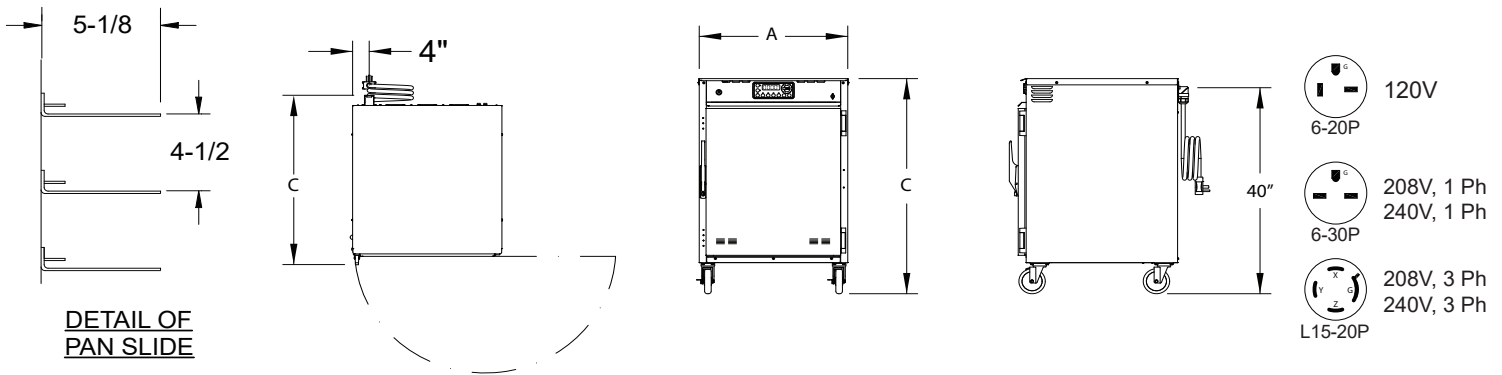
New, easier to use, easy-to-read and operate LED digital display ensures cooking at precise 350° food temperature.

ACCESSORIES and OPTIONS (Available at extra cost):

- Stacking Kit
- Tempered Glass Door Window
- Key Lock Latch
- Extra Universal Angles
- Extra Wire Grids
- Perimeter Bumper
- Corner Bumpers
- Various Caster Options

See page E-10 for accessory details.

CO-151-HUA-350



CRES COR MODEL NO.	PAN			DIM "A"	DIM "B"	DIM "C"	INSIDE DIMENSIONS*				WEIGHT ACT.
	CAP/ANGLES	SIZE		WIDTH	DEPTH	HEIGHT	WIDTH	DEPTH	HEIGHT		
CO-151-HUA-350	6 SETS	SEE NOTE BELOW	IN	28-3/4	37-3/4	43-3/4	21-1/4	26-1/2	28	LBS	260
			MM	730	960	1115	540	675	715	KG	118
CO-151-HUA-350-STK	12 SETS	SEE NOTE BELOW	IN	28-3/4	37-3/4	80-1/4	21-1/4	26-1/2	28	LBS	522
			MM	730	960	2035	540	675	715	KG	237

Note: Refer to pan size chart at end of section.
*Inside dimensions for each compartment.

CABINET:

- Body: 22 ga. stainless steel.
- Reinforcement: Internal framework of 16 ga. stainless steel.
- Insulation: Fiberglass, thermal conductivity (K factor) is .23 at 75°F. 1-1/2" in back wall, door, base; 2" in side walls.
- Air tunnels: 20 ga. stainless steel, lift-out type, mounted on sides.
- Work Top: 18 ga., stainless steel.
- Interior coved corners.

BASE:

- One piece construction.
- Casters: 5" dia., swivel, modulus tires, 1-1/4 wide, load cap. 250 lbs. each, temp. range -45°/+180°F. Delrin bearings. Front casters equipped with brakes.

DOOR:

- Field reversible.
- Formed 22 ga. stainless steel.
- Latch: Chrome plated zinc with composite handle, ceramic magnetic type.
- Hinges: Heavy duty chrome plated zinc.
- Gasket: Perimeter type, silicone.
- Pan stop: Embossed.
- Adjustable vents.

PAN SLIDES:

- Wire angles (.306 dia.), nickel chrome plated; mounted on lift-out posts.
- (6) sets of angles adjustable on 1-1/2" centers.
- Grids (3): Nickel chrome plated steel, raised wire 17" x 25".

POWER REQUIREMENTS AVAILABLE:

- 2000 Watts, 120 Volts, 60 Hz., 1 Phase, 17 Amps., 20 Amp. service.
- 4700 Watts, 208 Volts, 60 Hz., 1 phase, 24 Amps., 30 Amp. service.
- 4700 Watts, 240 Volts, 60 Hz., 1 phase, 20 Amps., 30 Amp. service.
- 4700 Watts, 208 Volts, 60 Hz., 3 phase, 13 Amps., 20 Amp. service.
- 4700 Watts, 240 Volts, 60 Hz., 3 phase, 12 Amps., 20 Amp. service

ELECTRICAL COMPONENTS:

- Thermostat: Solid state digital control, 350°F (176.5°C).
- Switch: ON-OFF push button type.
- Thermometer: Digital.
- Power cord: Permanent, 6 ft.;
- Right Angle Plug for 30 Amp.
- Straight Blade Twistlock Plug for 20 Amp.
- Heaters (6): 735 Watts each. 120V Model has (2) 1000 Watts each.
- Blower motors (4). 120V Model has (2).
- Vent fans (3).
- Fuses (2): 6 Amp.
- Portable Magnetic Digital Timer: Attaches to control panel, counts up or down.

INSTALLATION REQUIREMENTS:

- This model complies with section 59 of UL710B for emissions of grease laden air, and according to UL is not required to be placed under a ventilation hood. Check local requirements before installation.



Scan QR code to view Spec Sheet, Operating Manual, Wiring Diagram or to call Customer Service.

If you need a QR reader visit your App Store on your Smartphone or Tablet.

SHORT FORM SPECIFICATIONS

Cres Cor QuikTherm™ Oven Half Size Oven Model CO-151-HUA-350. 18 ga. stainless steel, recessed control panel with digital thermostat. Cabinet and door 22 ga. stainless steel; stainless steel internal frame; coved corner interior. Fiberglass insulation in sides 2"; back, doors and base 1-1/2". High temperature anti-microbial magnetic latch. (6) sets universal angles for multiple pan sizes and spacing. 5" swivel modulus casters, Delrin bearings. Load capacity 250 lbs. each. 4700 Watts, _____ Volts, _____ 60 Hz., _____ Phase. 2-Year Parts / 1-Year Labor warranty. Provide the following accessories: _____ .CSA-US, CSA-C, CSA to NSF4 listed.



5925 Heisley Road • Mentor, OH 44060-1833
Phone: 877/CRESCOR • Fax: 440/350-7267
www.crescor.com

© Crescent Metal Products, Inc. 2019 All rights reserved.

In line with its policy to continually improve its products, CRES COR reserves the right to change materials and specifications without notice.

Made in America Since 1936