

## BOTTOM MOUNT REACH-IN FREEZERS

MODEL:  MXSF-23FDHC  MXSF-49FDHC



MXSF-23FDHC



MXSF-49FDHC

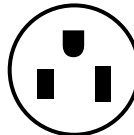
Maxx Cold reach-in freezers are constructed from stainless steel, engineered with digital controls and polyurethane insulation for optimal temperature control and easy maintenance. Available in 1 and 2 door configurations, each model features recessed handles, door locks and PE coated wire shelving with storage space for full size sheet pans.

### FEATURES AND CONSTRUCTION

- Stainless steel exterior and powder coated aluminum interior
- Heavy-duty self-closing doors with full-length handles
- Extra thick environmentally safe, CFC-free polyurethane foam insulation
- Interior lighting and cooling air fans are controlled by an automatic on-off door switch
- Door locks and password protected solid state digital temperature controls for security
- Programmable automatic defrost system keeps the unit at peak operating condition and prevents evaporator icing
- Forced-air system delivers effective air circulation and rapid temperature recovery
- 2.75" diameter swivel casters (2 with brakes) come standard
- Height allows the unit to pass through an 80" high doorway
- Integral condensate evaporator eliminates need for a floor drain connection
- Self contained heavy-duty forced air refrigeration system for even temperature regulation
- Heavy-duty cam rise self-closing hinges open to almost 180°
- Three (3) heavy-duty corrosion-resistant poly-coated shelves per door, with adjustable mounting clips
- Bottom mount utility compartment delivers easy service access

### ELECTRIC

115V / 60Hz / 1Ph  
 (230V / 50-60Hz / 1Ph is available as an option)  
 6' (2m) NEMA 5-15P cord set included



NEMA 5-15P

### 3RD PARTY APPROVALS



Intertek

Certified to ANSI NSF 7



Intertek

Certified to ANSI UL 471



Meets EPA Directives



DOE 2017 Compliant



Zero Ozone Depletion Potential

### MAXX COLD WARRANTY (USA / CANADA)

Contact Maxx Cold for warranty statement at  
 TechnicalServices@TheLegacyCompanies.com or 877.368.2797

### TEMPERATURE

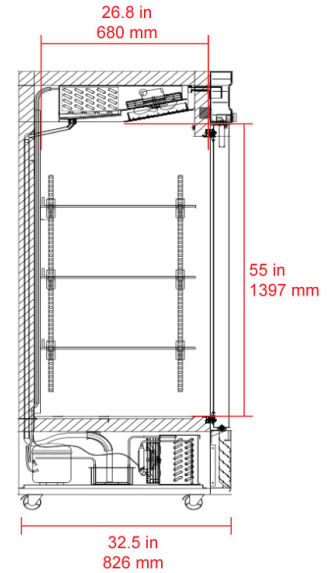
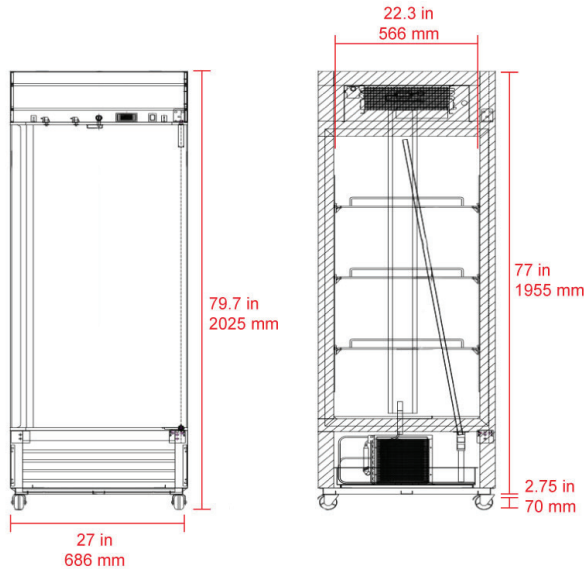
Holding temperature ..... -10°F to 10°F (-24°C to -12°C)

- Comes factory set to -4°F (-20°C)
- Open door alert, beeps when door has been left open or ajar
- Large digital display can show the internal temperature in either Fahrenheit (F°) or Celcius (C°)
- Thermal regulation is maintained within a range of +/- 3°F
- Oversized refrigeration system provides excellent performance with minimal operator attention

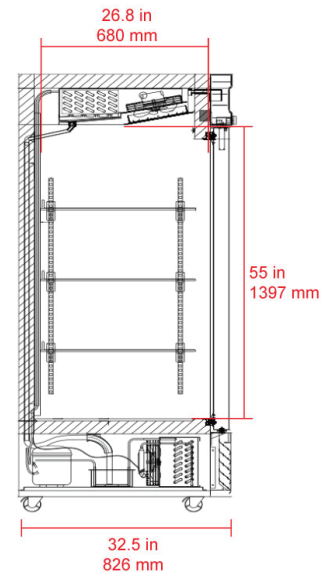
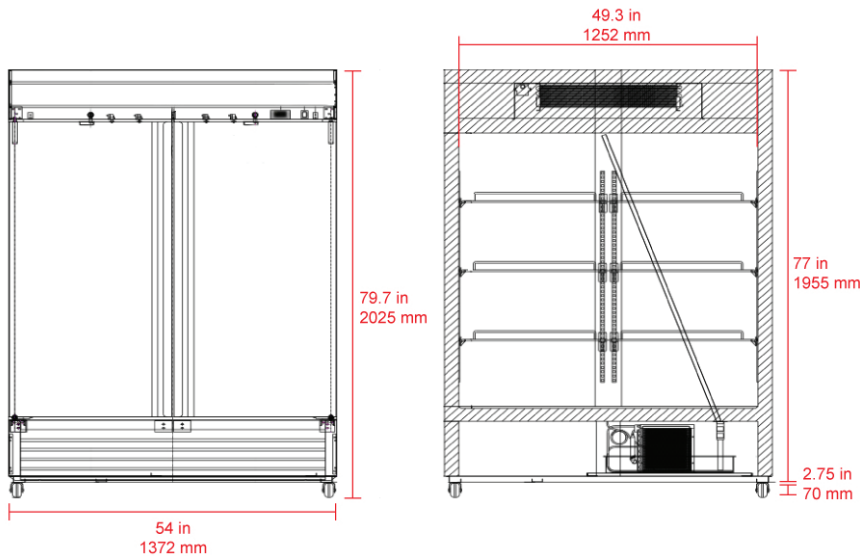
FRONT VIEW

SIDE VIEW

MXSF-23FDHC



MXSF-49FDHC



MODEL	EXTERNAL DIMENSIONS	INTERNAL DIMENSIONS	NET CAPACITY	HOLDING TEMPERATURE RANGE	AMP DRAW	HP	UNIT WEIGHT	REFRIGERANT AND CHARGE SIZE	DOORS / SHELVES	ELECTRICAL
MXSF-23FDHC	27" x 32.5" x 79.7" (686 x 825 x 2025 mm)	22.3" x 26.8" x 55" (566 x 680 x 1397 mm)	19.3 Cu Ft (547 L)	-10°F to 10°F (-24°C to -12°C)	6A	5/8	310 lbs (141 kg)	R-290a	1 / 3	115V / 60Hz / 1Ph
MXSF-49FDHC	54.1" x 32.5" x 79.7" (1372 x 825 x 2025 mm)	49.3" x 26.8" x 55" (1252 x 680 x 1397 mm)	42.9 Cu Ft (1215 L)	-10°F to 10°F (-24°C to -12°C)	9A	1	460 lbs (209 kg)	R-290a	2 / 6	115V / 60Hz / 1Ph

**INSTALLATION**

- Shorter caster options are available to lower the overall height of the unit