

# ESPRESSO MACHINES

## Tango Milk Series

### Super-Automatic One-Step with Real Milk

#### Preventive Maintenance Kit

for details, visit  
[www.gmcw.com](http://www.gmcw.com)



Model	ACE L/C Milk (1011-012)	STP Solo Milk (1011-005)	STP Duo Milk (1011-006)
<b>Description</b>	Limited public facing, (1) group with double spouts, (2) coffee bean hoppers: 3.75 lbs. and 2.6 lbs., (2) precision grinders with 64 mm Mahlkonig burrs, one-gallon pump refrigerator.	Limited public facing, (1) group with double spouts, (2) coffee bean hoppers: 3.75 lbs. and 2.6 lbs., (2) precision grinders with 80 mm Mahlkonig burrs, two-gallon pump refrigerator.	Attended service, (2) groups with double spouts, (2) 3.75 lbs. coffee bean hoppers, (2) precision grinders with 80 mm Mahlkonig burrs, two-gallon pump refrigerator on one grouphead.
<b>Capacity</b>	Small to medium capacity, 50-150 drinks daily. Brews 2 espressos simultaneously.	Medium capacity, 150-200 drinks daily. Brews 2 espressos simultaneously.	Large capacity, 200-300 drinks daily. Brews 4 espressos simultaneously.
<b>Boiler</b>	(1) 1.72 gal. 4500 W	(1) 1.72 gal. 4500 W	(2) 1.72 gal. 6800 W
<b>Electrical</b>	240V / 7 kW / 60Hz / 29A 1 Ph Fridge: 120V 0.1 kW / 1 Ph Line cord included with no plug. Suggested plug: L6-30P. NEMA 5-15P line cord included for all refrigerators.	Brewer: 230V / 5.6 kW / 30A 1 Ph Fridge: 120V 15A / 1 Ph Line cord included with no plug. Suggested plug: L6-50P. NEMA 5-15P line cord included for all refrigerators.	Brewer: 230V / 8 kW / 50A 1 Ph Fridge: 120V 15A / 1 Ph Line cord included with no plug. Suggested plug: L6-50P. NEMA 5-15P line cord included for all refrigerators.
<b>Product Dimensions</b> (H x W x D)	Without refrigerator: 33" X 18" X 24" With refrigerator: 33" X 27" X 24" Height includes 3" stainless steel legs.	Without refrigerator: 33" x 18" x 24" With refrigerator: 33" x 28" x 24" Height includes 3" stainless steel legs.	Without refrigerator: 33" X 24" X 24" With refrigerator: 33" X 34" X 24" Height includes 3" stainless steel legs.
<b>Ship Dimensions</b> (H x W x D)	33" X 44" X 30"	33" X 44" X 30"	33" X 44" X 30"
<b>Ship Weight</b>	195 lbs.	205 lbs.	269 lbs.
<b>List Price</b>	\$ 27,466	\$ 37,855	\$ 44,637



**GRINDMASTER®**

Project

Date

Models

**ACE**  
**ST Solo**  
**ST Duo**  
**ACE L/C Milk**  
**STP Solo Milk**  
**STP Duo Milk**

Item #

Quantity



model ACE

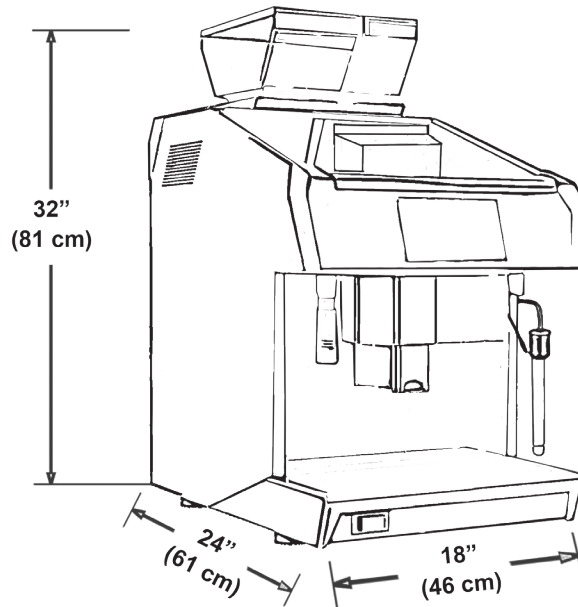
## FEATURES

- Super automatic espresso makers with automated steam and foaming wand for building milk drinks.
- The touch screen for each model accesses unlimited customizable icon keys for up to 48 recipes per touch screen interface.
- 2 bean hoppers: 3.75 lbs. (1.7 kg) and 2.6 lbs. (1.2 kg) with low beans warning option.
- Hopper stoppers for each hopper, allows for easy removal of hoppers.
- 1.66 gallon (6.3 L) boiler size.
- 2 precision grinders with 64 mm and 80 mm Mahlkonig burrs.
- Integrated SteamAir wand with auto milk foamer and programmable temperature control.
- Adaptable for various coffee profiles and exceptional extraction quality obtained through full control of 8 infusion parameters: 2 grinders; temperature; tamping; 2 pre-infusion methods; weight of coffee; volume of water.
- Temperature regulation for group.



# TANGO SUPER AUTO ESPRESSO

model ACE  
represented



## MODELS & SPECIFICATIONS

Model	Description	Cups per Hour	Electrical	Product Dimensions (H x W x D)	Ship Dimensions (H x W x D)	Ship Weight
<b>ACE<sup>1</sup></b> (1011-001)	Two-step brewer with (2) coffee bean hoppers	240	240V / 7 kW 60Hz / 29A / 1 Ph	32" X 18" X 24" (81 cm x 46 cm x 61 cm)	33" X 44" X 30" (84 cm x 112 cm x 76 cm)	220 lbs. (100 kg)
<b>ST Solo<sup>1</sup></b> (1011-002)	Two-step brewer with (2) coffee bean hoppers	240	240V / 7 kW 60Hz / 29A / 1 Ph	32" X 18" X 24" (81 cm x 46 cm x 61 cm)	33" X 44" X 30" (84 cm x 112 cm x 76 cm)	220 lbs. (100 kg)
<b>ST Duo<sup>2</sup></b> (1011-003)	Two-group, two-step with dual brewers and (2) coffee bean hoppers	400	240V / 7 kW 60Hz / 50A / 1 Ph	32" X 24" X 24" (81 cm x 61 cm x 61 cm)	33" X 44" X 30" (84 cm x 112 cm x 76 cm)	290 lbs. (132 kg)
<b>ACE L/C Milk<sup>1,3</sup></b> (1011-004)	One-step brewer with (2) coffee bean hoppers	240	240V / 7 kW 60Hz / 29A / 1 Ph	with refrigerator: 32" X 27" X 24" (81 cm x 69 cm x 61 cm)	33" X 44" X 30" (84 cm x 112 cm x 76 cm)	220 lbs. (100 kg)
<b>STP Solo Milk<sup>1,4</sup></b> (1011-005)	One-group, one-step with (2) coffee bean hoppers and one-gallon pump fridge	240	Brewer: 230V / 5.6 kW 30A / 1 Ph Fridge: 120V / 15A / 1 Ph	32" X 29" X 24" (81 cm x 74 cm x 61 cm)	33" X 44" X 30" (84 cm x 112 cm x 76 cm)	245 lbs. (111 kg)
<b>STP Duo Milk<sup>2,4</sup></b> (1011-006)	Two-group, one-step with dual brewers, (2) coffee bean hoppers and one-gallon pump fridge	400	Brewer: 230V / 8 kW 50A / 1 Ph Fridge: 120V / 15A / 1 Ph	32" X 35" X 24" (81 cm x 89 cm x 61 cm)	33" X 44" X 30" (84 cm x 112 cm x 76 cm)	315 lbs. (143 kg)

<sup>1</sup> **Electrical:** Line cord included with no plug. Suggested plug: L6-30P.

<sup>2</sup> **Electrical:** Line cord included with no plug. Suggested plug: L6-50P.

<sup>3</sup> **Note:** One-gallon MiniFridge (250-00017) sold separately. See options.

<sup>4</sup> **Electrical:** NEMA 5-15P line cord included for all refrigerators.

### OPTIONS

**MiniFridge** (250-00017) - One-gallon refrigerator for ACE L/C Milk