

IBD 30



IBD 30 with
LCD Merchandiser

Accessories and Options

Ice Maker Compatibility

- Accepts 22", 25", 30" & 44" wide ice makers (adapters may be required)
- Manual front load tee chute
- Variable automatic agitation timer
- Pellet capable dispense is available (specifications on request)

Certified by these agencies:



CUSTOMER SERVICE

Should you require more information about our products, please do not hesitate to contact our customer service team at custserv@lancerworldwide.com.

The **IBD** is Lancer's #1 selling self-serve dispenser. Hard plumbed syrup and water lines deliver excellent icy cold drinks. Versatile valve configurations and a portion control option allow for easy beverage cost monitoring. Topped with a compelling wraparound display, the IBD is a favorite.

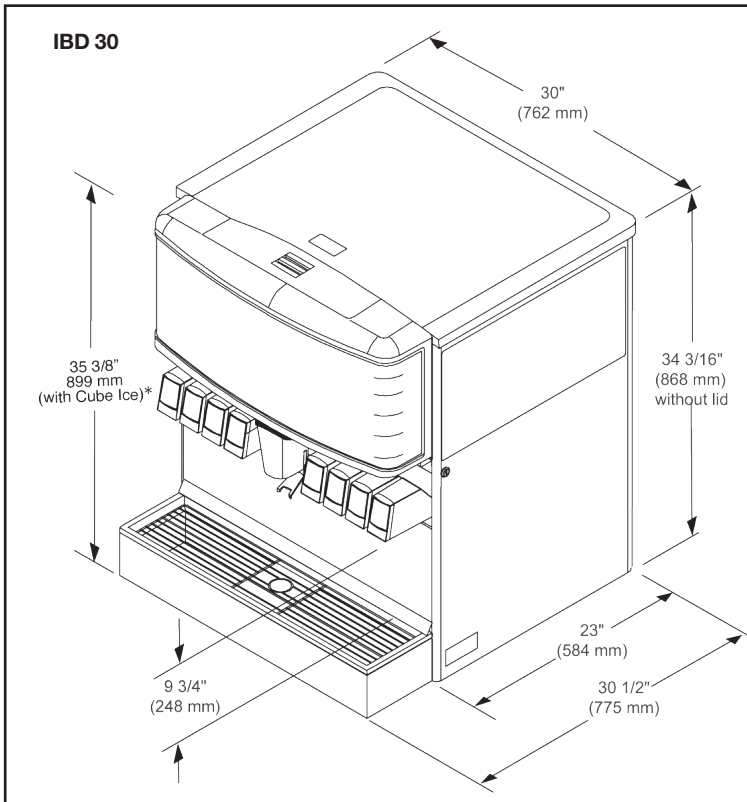
Features

- Illuminated interchangeable front graphics
- High capacity ice storage bin
- Stainless steel construction; exterior and interior
- High capacity drip tray helps avoid safety hazards and drink station cleanup from spills
- Unique hex drive ice agitation and dispense drive system
- Multiple valve configurations available for self-serve and portion control operation
- Fully insulated storage bin and drip tray to control condensation and avoid moisture related safety hazards
- Front and rear plumbing access for installation flexibility
- LEV® valves standard, other valves available upon request
- Key lock switch



WARRANTY

For warranty specifics by product, contact your Lancer™ Sales Representative. Equipment design and/or specifications are subject to change without notice.



Distinctive Design

- **IBD 22** - 6 valves (3-2-1)
- **IBD 25** - 8 valves (3-1-1-3)
- **IBD 30** - 8 valves (3-1-1-3)
10 valves (3-1-2-1-3)
Cube or Nugget Ice
- **IBD 44** - 12 valves (3-2-1-1-2-3)
- two ice chutes
- **4500+** - 12 valves (3-2-1-1-2-3)
- two ice chutes

Dimensions

- IBD 22 - 35.375" H x 22" W x 30.5" D
(899 mm H x 559 mm W x 775 mm D)
- IBD 25 - 35.375" H x 25" W x 30.5" D
(899 mm H x 635 mm W x 775 mm D)
- IBD 30 - 35.375" H x 30" W x 30.5" D
(899 mm H x 762 mm W x 775 mm D)
- IBD 44 - 35.375" H x 44" W x 30.5" D
(899 mm H x 1118 mm W x 775 mm D)
- 4500+ - 35.375" H x 44" W x 30.5" D
(899 mm H x 1118 mm W x 775 mm D)

Space Required

- IBD 22 - 24" W x 31.5" D - (610mm W x 800 mm D)
- IBD 25 - 27" W x 31.5" D - (686 mm W x 800 mm D)
- IBD 30 - 32" W x 31.5" D - (813 mm W x 800 mm D)
- IBD 44 - 46" W x 31.5" D - (1168 mm W x 800 mm D)
- 4500+ - 46" W x 31.5" D - (1168 mm W x 800 mm D)

Height: Allow sufficient clearance for manually filling with ice or refer to ice maker recommendation for top clearance.

Fittings for all

- Syrup inlets: 3/8" (9.5 mm) male barb
- Soda inlets: 3/8" (9.5 mm) male barb

Weight

- IBD 22 - With Ice: 405 lbs (184kg) - Shipping: 255 lbs (116kg)
- IBD 25 - With Ice: 460 lbs (208kg) - Shipping: 290 lbs (132kg)
- IBD 30 - With ice: 525lbs (238 kg) - Shipping: 305 lbs (138 kg)
- IBD 44 - With ice: 760 lbs (345 kg) - Shipping: 460 lbs (209 kg)
- 4500+ - With ice: 760 lbs (345 kg) - Shipping: 460 lbs (209 kg)

Ice Bank Weight

- IBD 22 - Capacity: 180 lbs (82kg) - Dispensable: 150 lbs (68kg)
- IBD 25 - Capacity: 205 lbs (93kg) - Dispensable: 160 lbs (73kg)
- IBD 30 - Capacity: 250 lbs (113 kg) - Dispensable: 175 lbs (79 kg)
- IBD 44 - Capacity: 360 lbs (163 kg) - Dispensable: 300 lbs (136 kg)
- 4500+ - Capacity: 360 lbs (163 kg) - Dispensable: 300 lbs (136 kg)

Electrical

- IBD 22 - 115V/60Hz, 3Amps - 230V/50Hz, 1.5Amps
- IBD 25 - 115V/60Hz, 3Amps - 230V/50Hz, 1.5Amps
- IBD 30 - 115V/60Hz - 230/50Hz
- IBD44 - 115V/60Hz - 230/50Hz
- 4500+ - 220-240V, 50/60Hz, 1.5Amps

Requires two electrical outlets for unit and LCD merchandiser

For more information visit lancerworldwide.com or call 1-800-729-1500