

 **General Information**

Project Name: _____

Consultant: _____

Item #: _____

Model #: _____

Quantity: _____



Shown with
Subway Grating (SG)



 **Specifications**

CFT Floor Troughs are 16GA type 300 series stainless steel one-piece construction. Horizontal corners are coved and the trough is integrally pitched toward a waste outlet with a stainless steel beehive strainer and a 4" OD tail-piece.

Recessed flange and 1" deep ledge for IMC grating are integral with the unit. Troughs are 4" deep overall.

Joints are TIG welded and leak-proof. Exposed surfaces finished brush satin.

 **Product Guide**

Use for Commercial and Institutional Buildings or large food prep facilities.

Flexible design such as custom depths and cross-section shape make this a versatile drain trough.

Recessed flange supports floor tile and provides a grout pocket.

Setting frame for waterproof membrane and/or integral seepage flange with "weep" holes can be added for wet floor areas.

Extension arms and intersections available for multiple equipment layout.

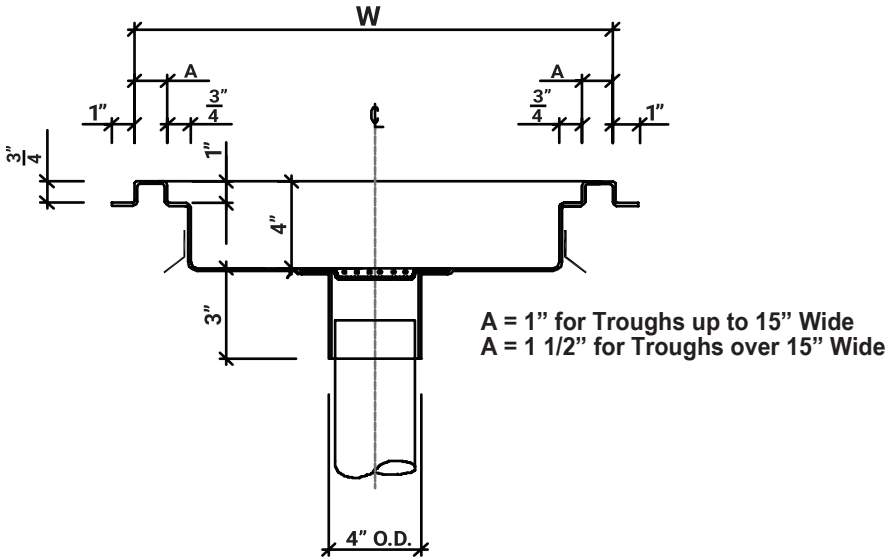
 **Options***

- DOD** - 3", 3½", 5", 6", 8" OD Tube (circle one)
- WTO** - Waste Tube over 3" Long
- AW** - Additional Wastes
- WCP** - Waste Cup Strainer
- BH** - Beehive Strainers (Each)
- OCW** - Off Center Waste (Each)
- ST12** - Scrap Tray Up to 18" Wide
- PWT** - Perforated Waste Pipe
- SF-2** - Special Size Setting Flange 2" Deep
- SF-4** - Special Size Setting Flange 2" to 4" Deep
- OWT** - Oversize Waste Tube
- LS** - Lint Screen for Laundry Trough
- ST20** - Scrap Tray 20" Long
- DSE** - Drain on the Side or End
- ROD** - Rim on Drain
- BSPC** - Basket Strainer w/ Handle & Chain
- BXD** - Box Type Drain
- BSX** - Beehive Strainer for Box Drain
- GA-12** - 12GA Upgrade

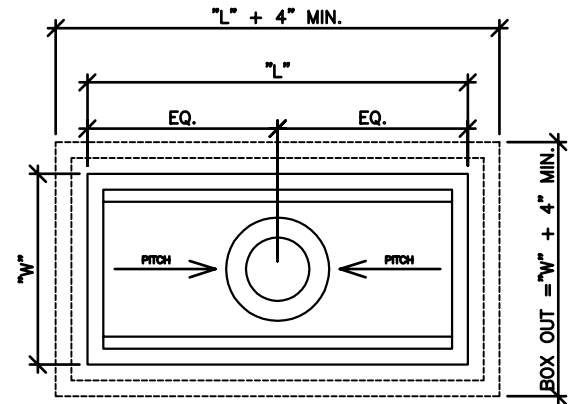
*See Price List for Complete Options

CFT-70 0321

DRAWINGS



Box Out Size



Trough Area

- Width (PIT) = Width ("W") + 4" Minimum
- Length (PIT) = Length ("L") + 4" Minimum
- Depth (PIT) = Depth of Trough + 1/2" + Finish Floor
- Size of Rough-In Hole For Drains 7 1/2" \varnothing Minimum

16GA FLOOR TROUGHES

Model	Size (W x L)	Model	Size (W x L)	Model	Size (W x L)	Model	Size (W x L)
□ CFT-1224	12" x 24"	□ CFT-1824	18" x 24"	□ CFT-2424	24" x 24"	□ CFT-3024	30" x 24"
□ CFT-1230	12" x 24"	□ CFT-1830	18" x 30"	□ CFT-2430	24" x 30"	□ CFT-3030	30" x 30"
□ CFT-1236	12" x 36"	□ CFT-1836	18" x 36"	□ CFT-2436	24" x 36"	□ CFT-3036	30" x 36"
□ CFT-1248	12" x 48"	□ CFT-1848	18" x 48"	□ CFT-2448	24" x 48"	□ CFT-3048	30" x 48"
□ CFT-1260	12" x 60"	□ CFT-1860	18" x 60"	□ CFT-2460	24" x 60"	□ CFT-3060	30" x 60"
□ CFT-1272	12" x 72"	□ CFT-1872	18" x 72"	□ CFT-2472	24" x 72"	□ CFT-3072	30" x 72"
□ CFT-1284	12" x 84"	□ CFT-1884	18" x 84"	□ CFT-2484	24" x 84"	□ CFT-3084	30" x 84"
□ CFT-1296	12" x 96"	□ CFT-1896	18" x 96"	□ CFT-2496	24" x 96"	□ CFT-3096	30" x 96"
□ CFT-12108	12" x 108"	□ CFT-18108	18" x 108"	□ CFT-24108	24" x 108"	□ CFT-30108	30" x 108"
□ CFT-12120	12" x 120"	□ CFT-18120	18" x 120"	□ CFT-24120	24" x 120"	□ CFT-30120	30" x 120"

Note - Standard troughs up to 96" have one (1) waste at center. Over 96", troughs have two (2) wastes equidistant.

Specifications subject to change without notice.

CFT-70 0321