

General Information

Project Name: _____

Consultant: _____

Item #: _____

Model #: _____

Quantity: _____



Specifications

FWR Floor Water Receptacles are 16GA type 300 series stainless steel one-piece construction. Horizontal corners are coved and the trough is integrally pitched toward a waste outlet with a stainless steel beehive strainer and a 4" OD tailpiece.

Recessed flange and 1" deep ledge for IMC grating are integral with the unit. Unit is 7½" wide and 4" deep.

Joints are TIG welded and leak-proof. Exposed surfaces finished brush satin.

FWR banded grating runs lengthwise.

2" deep FWR models are provided with flat perforated strainer.

Product Guide

Use for Commercial and Institutional Buildings or large food prep facilities.

Unit is generally used underneath Ice Machines or in front of walk-ins or large water discharge areas, in tight spaces.

Flexible design such as custom depths make this a versatile drain trough.

Recessed flange supports floor tile and provides a grout pocket.

Setting frame for waterproof membrane and/or integral seepage flange with "weep" holes can be added for wet floor areas.

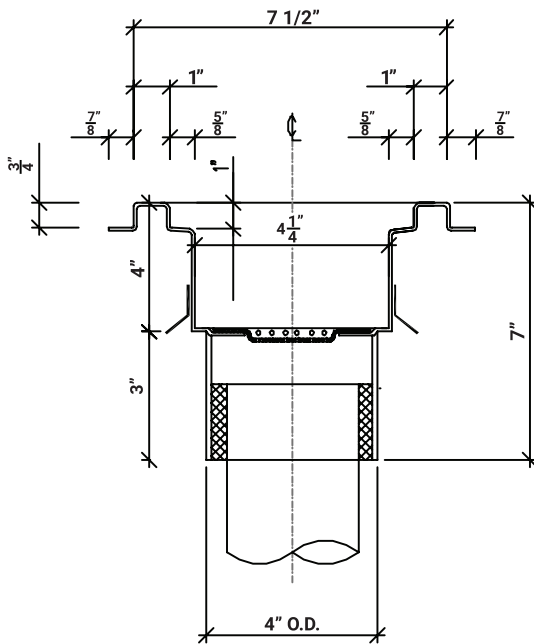


Shown with SQ Grid Style Grating

Options*

- DOD** - 3", 3½" OD Tube (circle one)
- WTO** - Waste Tube over 3" Long
- AW** - Additional Wastes
- WCP** - Waste Cup Strainers
- BH** - Beehive Strainers (Each)
- OCW** - Off Center Waste (Each)
- ST12** - Scrap Tray Up to 18" Wide
- PWT** - Perforated Waste Pipe
- SF-2** - Special Size Setting Flange 2" Deep
- SF-4** - Special Size Setting Flange 2" to 4" Deep
- FSG** - Seepage Flange w/ Weep Holes
- ST20** - Scrap Tray 20" Long
- DSE** - Drain on the End
- ROD** - Rim on Drain
- BSPC** - Basket Strainer w/ Handle & Chain
- BXD** - Box Type Drain
- BSX** - Beehive Strainer for Box Drain
- GA-12** - 12GA Upgrade

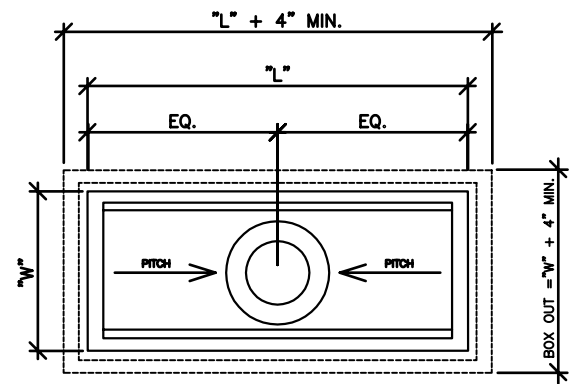
DRAWINGS



Box Out Size

Trough Area

- Width (PIT) = Width ("W") + 4" Minimum
- Length (PIT) = Length ("L") + 4" Minimum
- Depth (PIT) = Depth of Trough + 1/2" + Finish Floor
- Size of Rough-In Hole For Drains 7 1/2" Ø Minimum



FLOOR WATER RECEPTACLES

Model	Size (W x L)
□ FWR-24	7 1/2" x 24"
□ FWR-30	7 1/2" x 30"
□ FWR-36	7 1/2" x 36"
□ FWR-48	7 1/2" x 48"
□ FWR-60	7 1/2" x 60"
□ FWR-72	7 1/2" x 72"
□ FWR-84	7 1/2" x 84"
□ FWR-96	7 1/2" x 96"
□ FWR-108	7 1/2" x 108"
□ FWR-120	7 1/2" x 120"

Note: For longer lengths, contact factory.

Standard troughs up to 96" have one (1) waste at center. Over 96", troughs have two (2) wastes equidistant.

Specifications subject to change without notice.

FWR-011 1121