



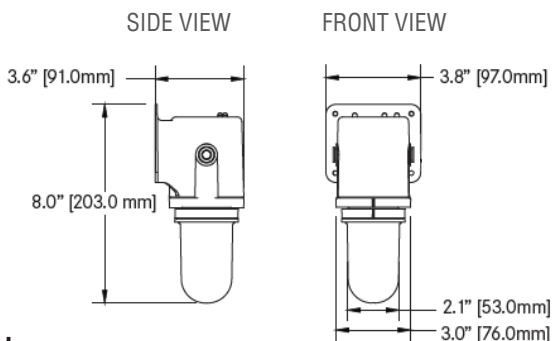
EcO₃Ice

Antimicrobial Ice Protection

EcO₃Ice
03/30/21
Item # 13107



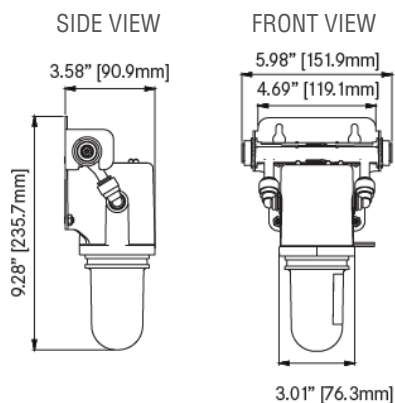
EcO₃Ice Low Flow Ozone System
HS-5282



EcO₃Ice Standard Flow Ozone System
HS-5283



EcO₃Ice Fast Flow Ozone System
HS-5284



EcO₃Ice Ozone System Replacement Cartridge
HS-5285



RoHS



Warranty:

Warranted against defects in materials and workmanship for one year

- Parts only, on head unit
- 30 days parts-only on cartridge
- Normal use exclusions apply, per Operation Manual.

Item #: _____
Project: _____
Qty: _____
AIA#: _____

Features

- Ozone treated water sanitizes the ice machine, bin and related parts
- Vastly reduces the risk of foodborne illness
- Reduces downtime and labor for routine cleanings
- Easily attaches to incoming water line of ice machine
- Operator-replaceable, twist-on electrolytic cartridge lasts 6-12 months
- Indicator lamp tells when it's time to replace cartridge
- Available for both cubers and flakers up to 2,600 lbs ice production

The compact EcO₃Ice device uses a unique, synthetic diamond-based technology that continuously treats incoming water used by ice machines, killing bacteria, yeast and mold in the ice-making path from beginning to end. Reduces biofilm build-up, greatly extending required time between cleanings. With each cycle, EcO₃Ice creates a small, safe but effective amount of pure ozone - nature's own sanitizer - which continuously treats the machine interior, storage bin, dispenser and drains.

Water

Water Temperature: 40°F to 86°F (4°C to 30°C)
Water Quality: Clean, potable water only (recommended hardness ≤ 300ppm CaCO₃)
Water Supply Pressure: Min 20 psi - Max 125 psi
Water Line Connection:
HS-5282: 3/8" OD push / pull fitting or 3/8" barbed fitting
HS-5283: 3/8" OD push / pull fitting or 1/2" barbed fitting
HS-5284: 1/2" OD push / pull fitting or 1/2" barbed fitting

Electrical

Five foot NEMA 5-15 plug included. Do not connect EcO₃Ice to other devices such as a beverage or water dispenser.

Model	Overall Dimensions W x D x H	Electrical	Amps (by phase)	Watts (by phase)	Water Flow	Shipping Weight
HS-5282	3.8" x 3.6" x 8.0"	100-240/50-60/1	1.25 Max	30 Max	.03 - 0.34gpm	2 lbs.
HS-5283	3.8" x 3.6" x 8.0"	100-240/50-60/1	1.25 Max	30 Max	.34 - 1.3gpm	2 lbs.
HS-5284	5.98" x 3.6" x 9.28"	100-240/50-60/1	1.25 Max	40 Max	1.3-4.2gpm	2.5 lbs.

Hoshizaki reserves the right to change specifications without notice.



EcO₃Ice

Antimicrobial Ice Protection

EcO₃Ice
03/30/21
Item # 13107

Model Number	Description Flow Rate (Gal. per min.)	Undercounter KMs	KM Cubers	IM Cubers	Flakers & Cubelets	DCMs
HS-5282	Low Flow (.34 GPM)	AM-50B KM-81B KM-116B KM-161B	N/A	N/A	All Models	N/A
HS-5283	Standard Flow (1.3 GPM)	KM-231B KM-301B	KM-350M KML-325M, 500M KMD-410M DKM-500B	IM-200BAC IM-500SAB	N/A	N/A
HS-5284	Fast Flow (4.2 GPM)	N/A	<u>KM</u> 520M*, 660M, 901M*, 1100M, 1301S, 1340M, 1601M, 1601S, 1900S, 2200S, 2600S <u>KMD</u> 460M, 530M, 860M <u>KML-700M</u> <u>KMS</u> 822M, 1122M, 1402M, 2000M <u>KMH</u> 2100S	IM-50BAA-Q	N/A	N/A
HS-5285	Replacement Cartridge (1) One each					

* Call Hoshizaki Technical Support 800-233-1940 for Eco₃Ice model selection for ice machines not listed above or KM-515MAH/KM-901MAH manufactured in or before 2012. Manufacturing date available by decoding model serial number (see Hoshizaki parts list and auxiliary codes for detail).