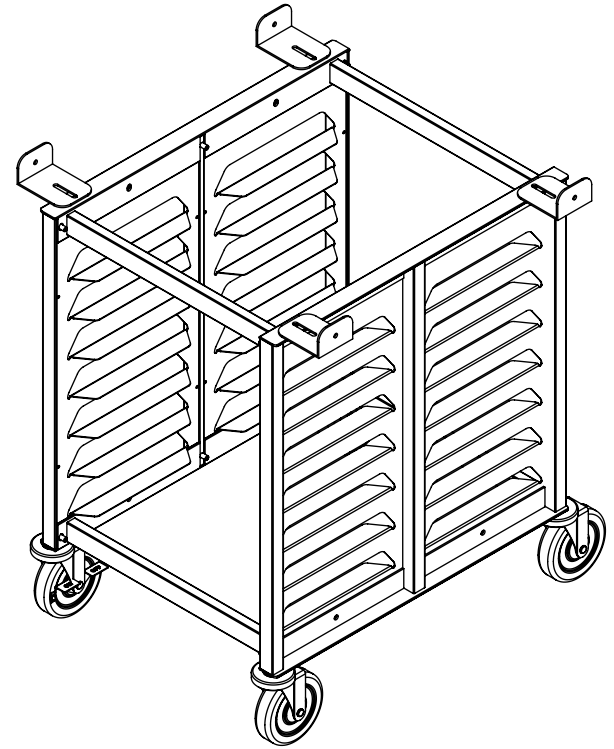
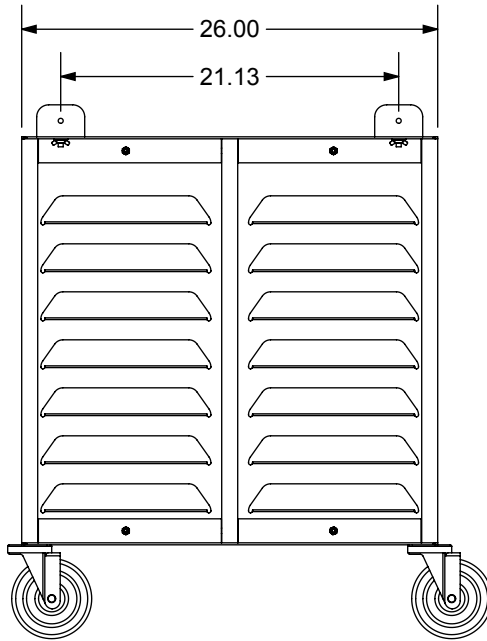
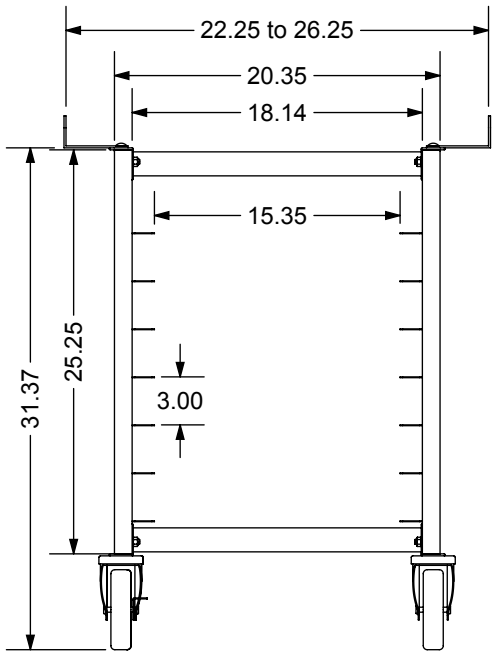
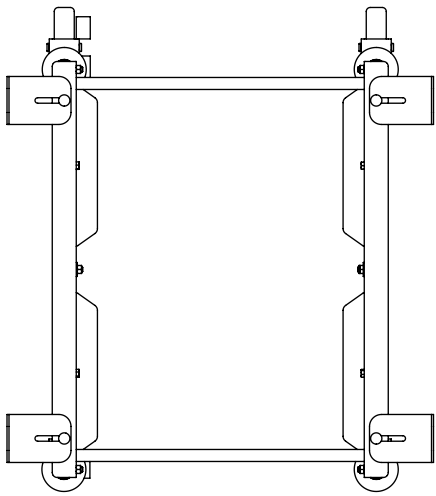


THE INFORMATION CONTAINED IN THIS DRAWING IS THE SOLE PROPERTY OF PRAIRIE VIEW INDUSTRIES ANY REPRODUCTION IN PART OR WHOLE WITHOUT THE WRITTEN PERMISSION OF PRAIRIE VIEW INDUSTRIES IS PROHIBITED.



FILE NAME <b>OV3007CL2</b>		Dr By <b>KAM</b>	PVI Tolerance <b>±.03</b>
PART # <b>ASSEMBLY</b>		CREATED <b>7/27/2015</b>	APPROVED
SCALE <b>1:16</b>	SHEET # <b>1</b>	LAST SAVED <b>11/20/2018</b>	
REV #	WT.		