

Short Form Specifications

Eagle Direct Draw Dispenser, model _____.
 Foamed-in-place high density polyurethane insulation. Designed to accommodate all types of kegs. Stainless steel tops with draw line and drip tray. Lockable self-closing doors with recessed handles. Removable door gasket. Stainless steel floor and inner walls. Side-mounted evaporator. Balanced refrigeration system operates at 33°F – 41°F. Cool air directed into draft towers. 8-ft. cord with NEMA 5-15 plug. 24" front-to-rear. 48", 60", and 72" lengths available.

Item #:	_____
Model #:	_____
Project #:	_____
SIS #:	_____

EG8187 Rev. 02/19

Design & Construction Features

- Balanced refrigeration system maintains temperatures between 33°F - 41°F.
- Stainless steel tops with stainless steel beer tower(s) and drip trays.
- Durable wear-resistant black coated steel cabinet.
- Type 304 stainless steel floor and inner walls.
- Includes 2-"D" system keg couplers per beer tower.
- Self-closing doors feature recessed handles and keyed locks.
- Removable door gasket for ease of cleaning and replacing.
- Accommodates all types of beer kegs.
- 120-volt, 60-cycle, single-phase electricity
- Side-mounted evaporator optimizes interior cabinet space.
- One year parts and labor warranty and five year compressor warranty.



Direct Draw Beer Dispensers

Self-Contained Keg Storage and Dispensing Systems

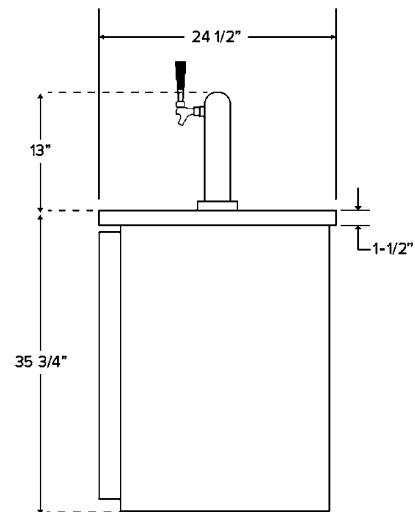
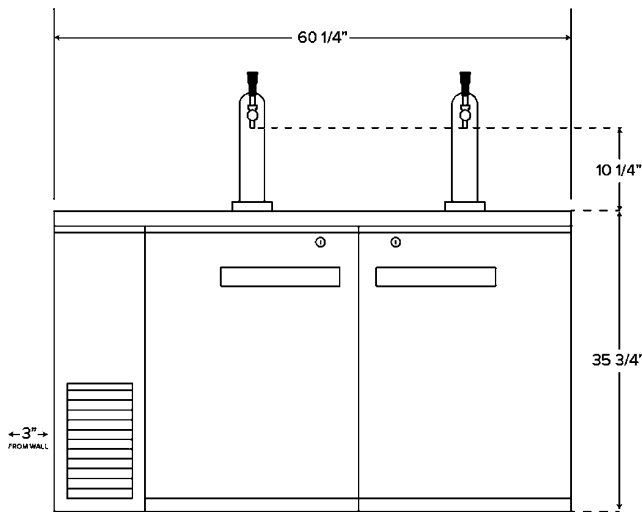
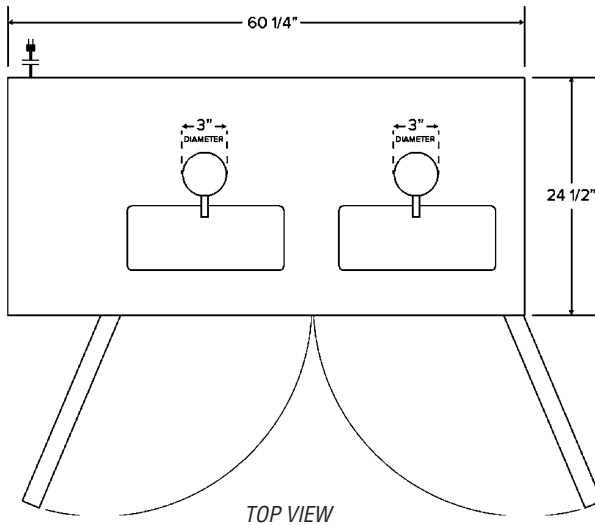


model #BPR-UDD-24-72

An excellent means for fresh, cold draft beer to be offered at any establishment such as pubs, banquets, taverns etc. Beer towers are tall enough to accommodate pint glasses, full-size beer pitchers, etc. Holds two 1/2 kegs (the 72"-long model hold THREE)! The 1/2"-thick stainless steel countertop, with built-in drip trays, sits atop a beautiful yet durable black coated steel cabinet—wear-resistant, easy to clean. Hinged doors with recess handle features keyed lock. 1/3-HP compressor comes with 8-ft. cord and NEMA 5-15 plug.

For custom configuration or fabrication needs, contact the **SpecFAB**[®] Division.
 Phone: (302) 653-3000. FAX: (302) 653-2065.
 E-mail: quotes@eaglegrp.com

Direct Draw Beer Dispensers



(model #BPR-UDD-24-60 shown)

width	length	height	# of doors	# of draft towers	holds up to	electrical data*	model #
in. mm	in. mm	in. mm					
24 1/2" 622	48 3/4" 1238	35 3/4" 908	2	1	(2) 1/2 kegs	1/3-HP, 120V, 6.4A	BPR-UDD-24-48
24 1/2" 622	60 1/4" 1530	35 3/4" 908	2	2	(2) 1/2 kegs	1/3-HP, 120V, 6.4A	BPR-UDD-24-60
24 1/2" 622	72 3/4" 1848	35 3/4" 908	3	2	(3) 1/2 kegs	1/3-HP, 120V, 7.4A	BPR-UDD-24-72

* #All units are 60-cycle, single-phase.

All units feature one year parts and labor warranty and five year compressor warranty.