

**Short Form Specifications**

Eagle Back Bar Refrigeration, model \_\_\_\_\_. Steel cabinet exterior wrapped in durable black vinyl. Interior utilizes stainless steel walls, floor and ceiling. Glass doors are easily interchangeable. 120/60/1-phase electricity. Utilizes 15-amp dedicated outlet. Cord and NEMA 5-15P plug. Maintains temperature of 33°F to 41°F. Easy access to condenser.

Item #: \_\_\_\_\_  
 Model #: \_\_\_\_\_  
 Project #: \_\_\_\_\_  
 SIS #: \_\_\_\_\_

EG8184 Rev. 02/19

**Design & Construction  
 Features**

- Stainless steel top.
- Black vinyl-clad steel cabinet.
- Glass doors with extruded pull handle.
- Doors are hinged and provided with key lock.
- Stainless steel interior lining with stainless steel floor.
- Lengths available range from 48" to 90".
- Interior LED lighting to highlight display.
- Self-contained refrigeration.
- Maintains temperature between 33°F and 41°F.
- One year parts and labor warranty and five year compressor warranty.

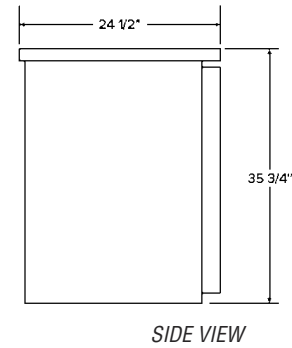
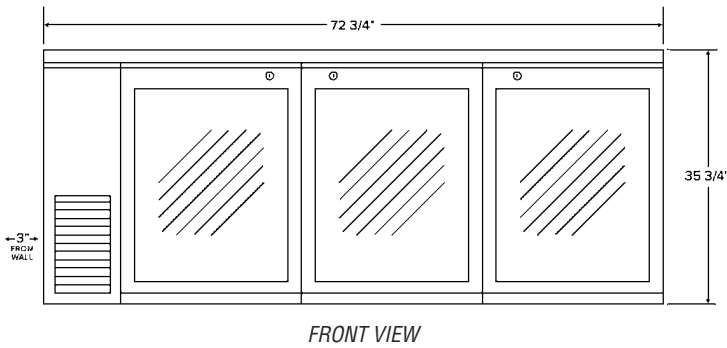
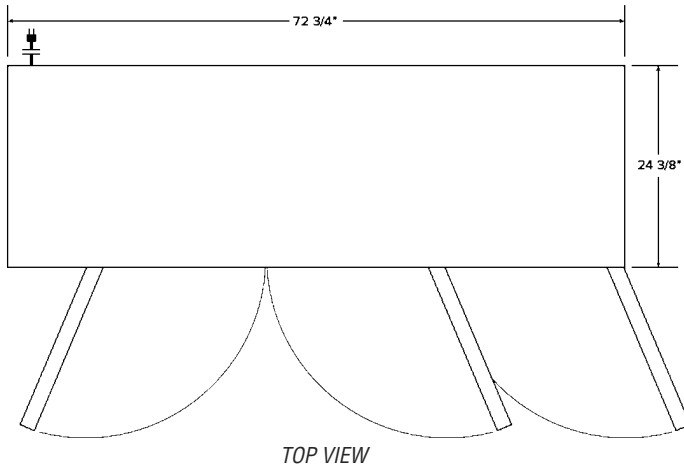
*New* **Back Bar Refrigeration**  
 with glass doors



*Back bar coolers are designed to store and refrigerate all of your restaurant's finest beverages. Our selection of glass door models accommodate a wide range of bar setups. The glass doors on the units allow guests to easily preview your offerings, while the durable steel cabinet—wrapped in black vinyl exterior—offers a sleek, clean appearance.*

For custom configuration or fabrication needs, contact the **SpecFAB**<sup>®</sup> Division.  
 Phone: (302) 653-3000. FAX: (302) 653-2065.  
 E-mail: quotes@eaglegrp.com

# Back Bar Refrigeration



(model #BPR-UBB-24-72G shown)

width in. mm	length in. mm	height in. mm	no. of doors	no. of shelves	capacities			electrical data*	model #
					12-oz. cans	12-oz. bottles	1/2-barrel kegs		
24 <sup>3</sup> / <sub>4</sub> " 619	48 <sup>3</sup> / <sub>4</sub> " 1238	35 <sup>3</sup> / <sub>4</sub> " 908	2	4	546	336	2	1/3-HP, 120V, 6.4A	<b>BPR-UBB-24-48G</b>
24 <sup>3</sup> / <sub>4</sub> " 619	60 <sup>3</sup> / <sub>4</sub> " 1543	35 <sup>3</sup> / <sub>4</sub> " 908	2	4	756	456	2	1/3-HP, 120V, 7.5A	<b>BPR-UBB-24-60G</b>
27 <sup>3</sup> / <sub>4</sub> " 705	69 <sup>1</sup> / <sub>4</sub> " 1756	36 <sup>1</sup> / <sub>4</sub> " 921	2	4	1,134	594	3	1/3-HP, 120V, 8.0A	<b>BPR-UBB-3G</b>
24 <sup>3</sup> / <sub>4</sub> " 619	72 <sup>3</sup> / <sub>4</sub> " 1848	35 <sup>3</sup> / <sub>4</sub> " 908	3	6	966	576	3	1/3-HP, 120V, 8.0A	<b>BPR-UBB-24-72G</b>
27 <sup>3</sup> / <sub>4</sub> " 705	90 <sup>3</sup> / <sub>4</sub> " 2296	36 <sup>1</sup> / <sub>4</sub> " 921	3	6	1542	834	4	1/2-HP, 120V, 10A	<b>BPR-UBB-4G</b>

\* All units are 60-cycle single-phase.

All units feature one year parts and labor warranty and five year compressor warranty.