

**Short Form Specifications**

Eagle Bottle Coolers, model \_\_\_\_\_. Foamed-in-place high density polyurethane insulation. Steel cabinet exterior wrapped in durable black vinyl. Top features stainless steel full-length countertop with 1/2" polymer edge, and lockable stainless steel sliding covers, each with extruded pull handles. Comes with removable bottle opener and cap catcher (#BPR-JBC-95 has two), painted aluminum interior, and plastic coated stainless steel dividers (except #BPR-JBC-25). Easily accessible condensing unit. Self-contained refrigeration. Forced-air cooling. Auto defrost. 8-ft. cord and NEMA 5-15 plug.

Item #: \_\_\_\_\_  
 Model #: \_\_\_\_\_  
 Project #: \_\_\_\_\_  
 SIS #: \_\_\_\_\_

EG8185 Rev. 02/19



**Design & Construction Features**

- Stainless steel countertop with 1/2" polymer edge.
- Lockable stainless steel sliding covers.
- Black vinyl-clad cabinet.
- Painted aluminum interior.
- Lengths available range from 26 5/8" to 95".
- Includes removable bottle opener and cap catcher\*.
- 8' cord with NEMA 5-15P plug.
- 120-volt, 60-cycle, single-phase
- Self-contained refrigeration maintains temperatures at 33°F to 41°F.
- Forced-air cooling.
- Auto defrost\*\*.
- One year parts and labor warranty and five year compressor warranty.

\* #BPR-JBC-95 features two removable bottle openers & cap catchers.

\*\* Auto frost included on all units except #BPR-JBC-25

For custom configuration or fabrication needs, contact the **SpecFAB<sup>®</sup> Division**.  
 Phone: (302) 653-3000. FAX: (302) 653-2065.  
 E-mail: quotes@eaglegrp.com

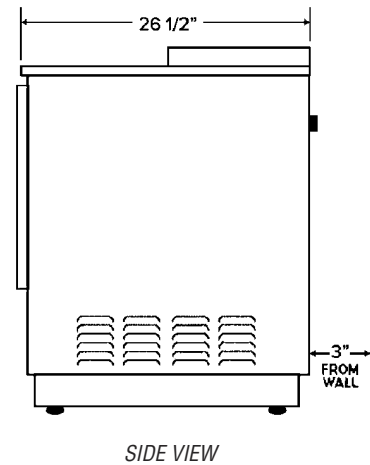
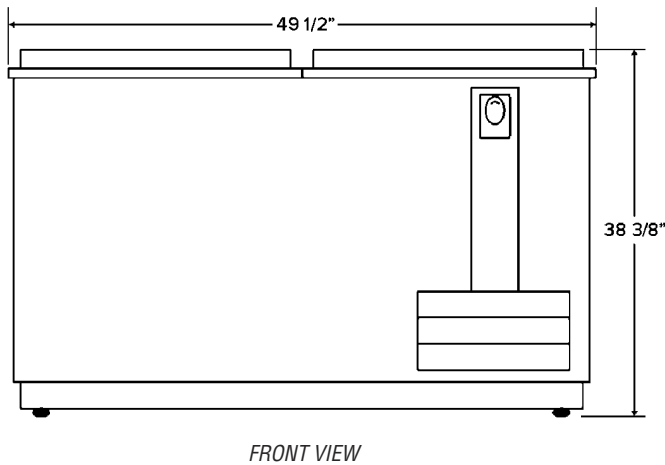
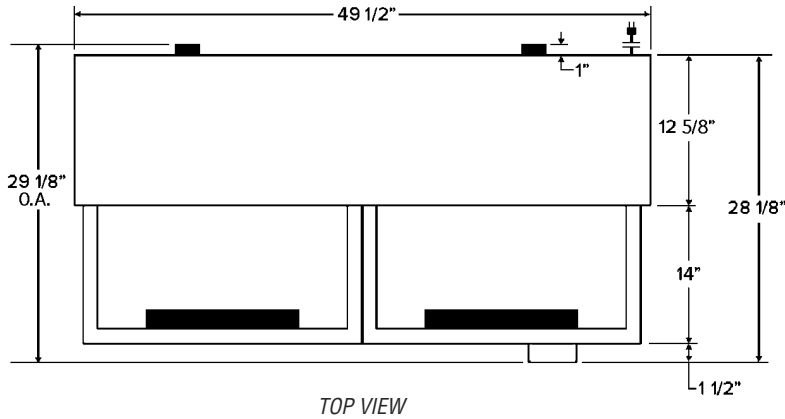
*New* **Bottle Coolers**  
 Here to serve the coldest drinks in town!



model #BPR-JBC-50

*There's nothing like a cold beverage—ask your customers! Eagle's new Bottle Coolers are here to serve! Positive airflow cools bottles on top first, and the painted aluminum interior keeps them cold for a long time. The self-contained refrigeration system maintains temperatures between 33°F and 41°F. Also, the stationary side of the stainless steel top, with 1/2" edge, doubles as a countertop. The other half features two individual lockable stainless steel slide covers. For added convenience, removable bottle openers & cap catchers are featured.*

# Bottle Coolers



(MODEL #BPR-JBC-50 SHOWN)

width*		length		height		# of sliding covers	capacities		electrical data**	model #
in.	mm	in.	mm	in.	mm		12-oz. btls	12-oz. cans		
26 5/8"	676	26 5/8"	677	33 3/8"	848	1	5 cases	7 cases	1/5-HP, 120V, 2.3A	<b>BPR-JBC-25</b>
26 5/8"	676	49 1/2"	1257	33 3/8"	848	2	16 1/2 cases	24 cases	1/3-HP, 120V, 8.0A	<b>BPR-JBC-50</b>
26 5/8"	676	64 1/2"	1638	33 3/8"	848	2	24 cases	32 cases	1/3-HP, 120V, 8.0A	<b>BPR-JBC-65</b>
26 5/8"	676	95"	2413	33 3/8"	848	3	37 1/2 cases	55 cases	1/2-HP, 120V, 8.7A	<b>BPR-JBC-95</b>

\* Excludes bottle opener at front and bumper at rear.  
 \*\* All units are 60-cycle single-phase.

All units feature one year parts and labor warranty and five year compressor warranty.