

BIZERBA

Installation Requirements GS 68M Proofer, 2x EBO 68L, 68 Steam Reducer

NOTE: Electrical Requirement

208Vac 3ph+GND 4-wire
(120Vac Phase to GND and 208Vac Phase to Phase)

PSRUDLPHVLR1RHV□

Door and pathway dimensions required after station is removed from shipping pallet at the loading dock or receiving area

Width = 37"

Depth = 62" this measurement is important if there are tight turns

Height = 70"

onfiguration

Steam reducer: 208V/ 60 Hz/ single phase/ outlet 15A NEMA

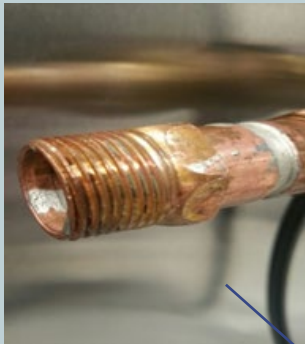
EBO 68L: 208V/ 60 Hz/ 3 phase/ outlet 30A NEMA

EBO 68L: 208V/ 60 Hz/ 3 phase/ outlet 30A NEMA

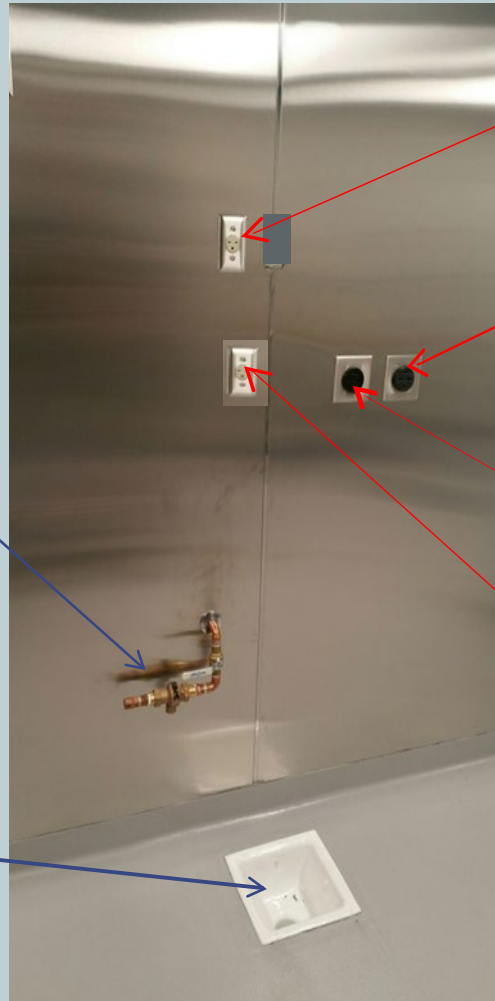
GS 68M Proofer: 208V/ 60 Hz/ single phase/ outlet 15A NEMA



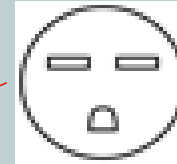
Installation Requirements GS 68M Proofer, 2x EBO 68L, 68 Steam Reducer



3/4" MIP (male iron pipe)
water supply with shut off
valve (27.2 – 87 PSI)

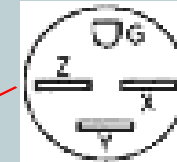


Floor drain



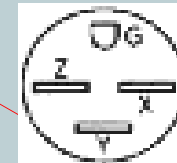
Steam Reducer

NEMA Receptacle **6-15R**
1-Phase 208V 15Amp 60HZ



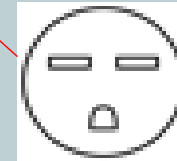
30amp - EBO 68L

NEMA Receptacle **15-30R**
3-Phase 208V 30amp 60HZ



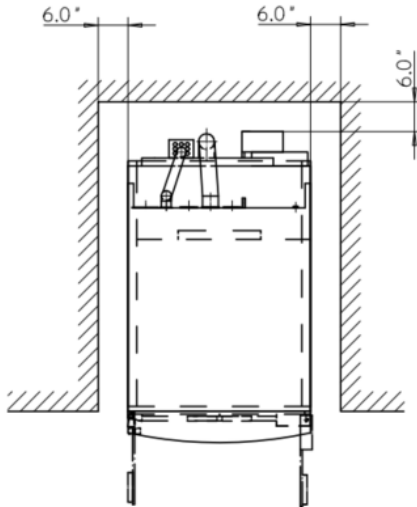
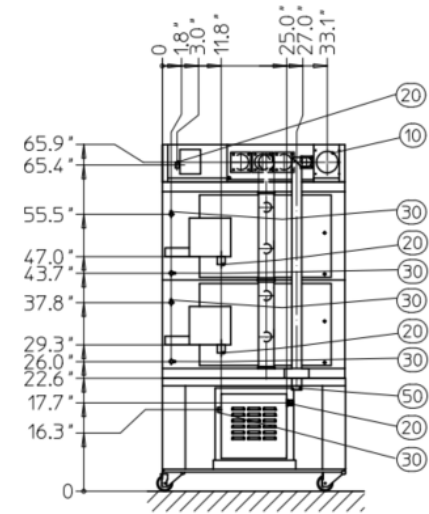
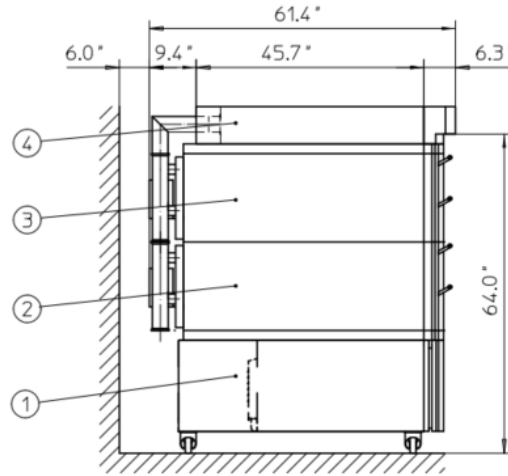
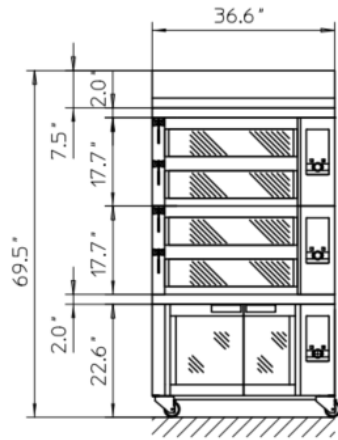
30amp - EBO 68L

NEMA Receptacle **15-30R**
3-Phase 208V 30amp 60HZ



GS 68M Proofer

NEMA Receptacle **6-15R**
1-Phase 208V 15Amp 60HZ



Alle weiteren Informationen entnehmen Sie den aktuellen und gültigen technischen Datenblättern

All other information can be found in the current and valid technical data sheets

- ⑩ Anschluss Abluft / exhaust air
- ⑫ Anschluss Strom / power connection
- ⑬ Anschluss Wasser / water connection
- ⑭ Anschluss ProClean / connection ProClean
- ⑮ Anschluss Ablauf / wastewater connection

Aufstellplan unterliegt nicht dem Änderungswesen
Floor plan is not subject to the Change Management

Geräte:		Abmessungen: 69,5" x 36,6" x 61,4"		Schutzvermerk zur Beschränkung der Haftung nach DIN ISO 9006 beachten		Allgemeintoleranz 50 2768 - v		Maßstab 1 : 20	
8	---	---	h	---	---	---	---	Abkürzungen GS68 M UL (575) + 2x Ebo68 L UL + ALH 68 UL	
7	---	---	g	---	---	---	---		
6	---	---	f	---	---	---	---		
5	---	---	e	---	---	---	---		
4	X0468	ALH 68 UL	d	---	---	---	---		
3	X1772	Ebo 68 L UL	c	---	---	---	---		
2	X1772	Ebo 68 L UL	b	---	---	---	---		
1	X0607	GS 68 M UL	a	---	---	---	---		
Pos.	Ank.-Nr.	Bezeichnung	Änd.	Änderung	Datum	gez.	gepr.	Zeilchennummer A_000-X85-700	
								And. Bl. 1 von 1	

WIESHEU